

SRZ High Power Transfer

Slip rings can be used in any electromechanical system requiring unrestrained, continuous rotation, while transmitting power and/or data from a stationary to a rotating structure.

A slip ring is sometimes referred to as a rotary electrical interface, collector, swivel or rotary joint.



Typical applications

- Cable reels
- Power generation
- Cranes

Quick facts

- Compact size
- Quick delivery
- Low cost
- High reliability and duration
- Low friction torque
- Smooth rotation
- In compliance with CE and ROHS standards

Number of circuits	4-24
Voltage	240 VDC / 500 VAC max
Current rating	20 A and 630 A
Dielectric strength	1000 VAC at 60 Hz
Insulation resistance	500 VAC at 60 Hz
Insulation resistance	> 1000 MΩ / 500 Vcc
Nominal speed	60 rpm
Temperature	-20°C to +80°C
Rating life	10 ⁸ revolutions (depending on speed and on environmental conditions)
Contact	Gold on Gold / Silver on Silver
Protection	IP00

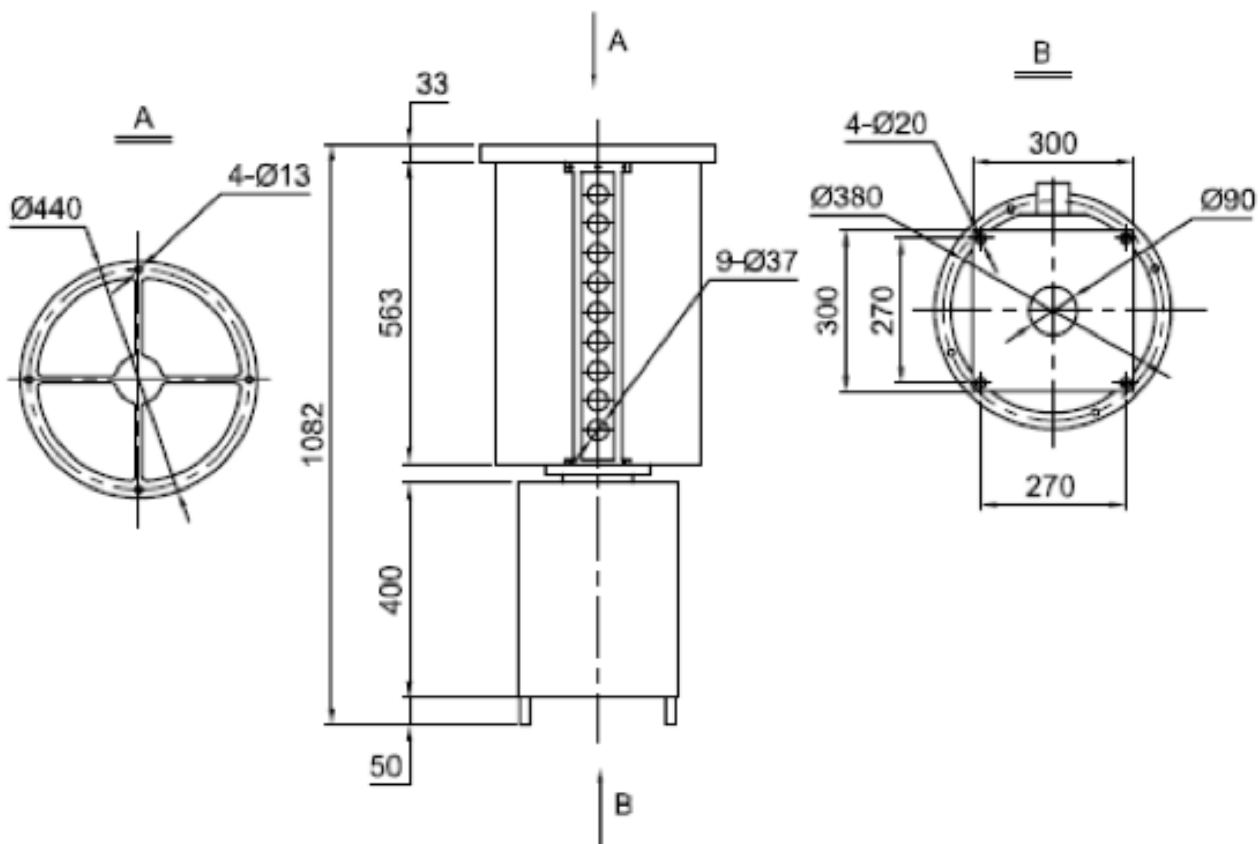
We can also offer custom designs. As a customer you have the possibility to specify the slip ring to comply with your needs. We can also offer hybrid units, for example a combined slip ring and fiber optic rotary joint, integrated into one small housing.

Other options we can offer:

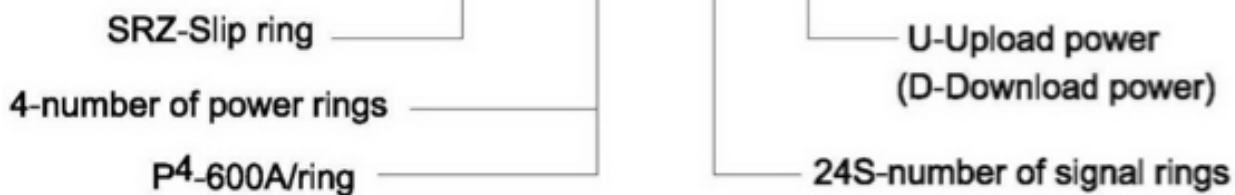
- Inclusion of coax and miniature data bus cables
- Harnessing of lead wires into chosen crimps and connectors

SRZ-Series

Outline dimension



SRZ - 4P4 - 24S - U



P1、 P2、 P3、 P4、 P5 Represents separately 100A、 200A、 400A、 600A、 1000A