

## SRH60135 – 60 mm through-bore

Slip rings can be used in any electromechanical system requiring unrestrained, continuous rotation, while transmitting power and/or data from a stationary to a rotating structure.

A slip ring is sometimes referred to as a rotary electrical interface, collector, swivel or rotary joint.

The SRH Series uses multiple contact point technology, allowing for low contact electric resistance between brushes and ring. This reduces electrical noise and the slip ring gets a longer lifetime.

No lubrication required.



### Typical applications

- Cable reels
- Medical equipment
- Packaging machines

### Quick facts

- Compact size
- Quick delivery
- Low cost
- High reliability and duration
- Low friction torque
- Smooth rotation
- In compliance with CE and ROHS standards

<b>Number of circuits</b>	6, 12, 18, 24, 36, 48, 60, 72-96
<b>Voltage</b>	600 VAC
<b>Cables/Current rating</b>	tin plated, PTFE insulation /15 A or 10 A: AWG16 2 A: AWG26
<b>Dielectric strength</b>	1000 VAC at 60 Hz
<b>Insulation resistance</b>	500 VAC at 60 Hz
<b>Insulation resistance</b>	> 1000 MΩ / 500 Vcc
<b>Nominal speed</b>	1000 rpm
<b>Temperature</b>	-20°C to +80°C
<b>Rating life</b>	10 <sup>8</sup> revolutions (depending on speed and on environmental conditions)
<b>Contact</b>	Gold on Gold / Silver on Silver
<b>Protection</b>	IP51 or high or request

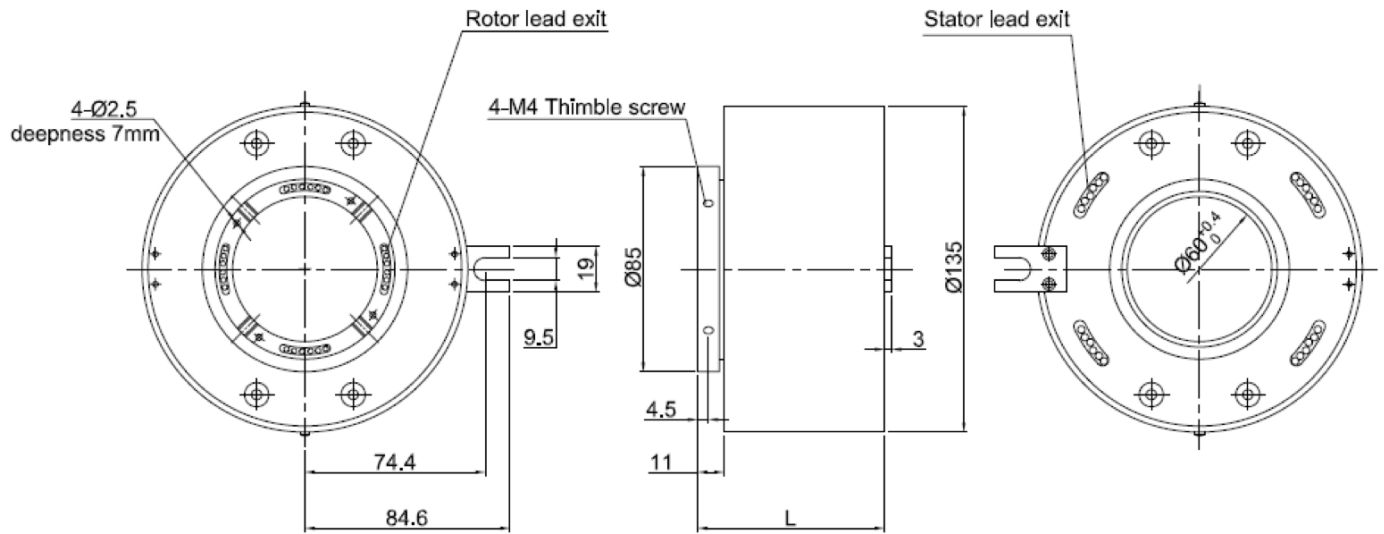
We can also offer custom designs. As a customer you have the possibility to specify the slip ring to comply with your needs. We can also offer hybrid units, for example a combined slip ring and fiber optic rotary joint, integrated into one small housing.

### Other options we can offer:

- Inclusion of coax and miniature data bus cables
- Harnessing of lead wires into chosen crimps and connectors

## SRH60135

## Outline dimension



Model	Total Rings	2A	10A / 15A	Length
SRH60135-18P	18	-	18	137.5 mm
SRH60135-12P/12S	24	12	12	137.5 mm
SRH60135-6P/24S	30	24	6	137.5 mm
SRH60135-36S	36	36	-	137.5 mm
SRH60135-24P	24	-	24	167.5 mm
SRH60135-18P/12S	30	12	18	167.5 mm
SRH60135-12P/24S	36	24	12	167.5 mm
SRH60135-6P/36S	42	36	6	167.5 mm
SRH60135-48S	48	48	-	167.5 mm
SRH60135-30P	30	-	30	227.5 mm
SRH60135-24P/12S	36	12	24	227.5 mm
SRH60135-18P/24S	42	24	18	227.5 mm
SRH60135-12P/36S	48	36	12	227.5 mm
SRH60135-6P/48S	54	48	6	227.5 mm
SRH60135-60S	60	60	-	227.5 mm

Model	Total Rings	2A	10A / 15A	Length
SRH60135-6P/60S	66	60	6	227.5 mm
SRH60135-72S	72	72	-	227.5 mm
SRH60135-42P	42	-	42	257.5 mm
SRH60135-36P/12S	48	12	36	257.5 mm
SRH60135-30P/24S	52	24	30	257.5 mm
SRH60135-24P/36S	60	36	24	257.5 mm
SRH60135-18P/48S	66	48	18	257.5 mm
SRH60135-12P/60S	72	60	12	257.5 mm
SRH60135-6P/72S	78	72	6	257.5 mm
SRH60135-84S	84	84	-	257.5 mm
SRH60135-48P	48	-	48	287.5 mm
SRH60135-42P/12S	54	12	42	287.5 mm
SRH60135-36P/24S	60	24	36	287.5 mm
SRH60135-30P/36S	66	36	30	287.5 mm
SRH60135-24P/48S	72	48	24	287.5 mm
SRH60135-18P/60S	78	60	18	287.5 mm
SRH60135-12P/72S	84	72	12	287.5 mm
SRH60135-6P/84S	90	84	6	287.5 mm
SRH60135-96S	96	96	-	287.5 mm

For color codes, please contact us!