

## SRH2578 – 25.4 mm through-bore

Slip rings can be used in any electromechanical system requiring unrestrained, continuous rotation, while transmitting power and/or data from a stationary to a rotating structure.

A slip ring is sometimes referred to as a rotary electrical interface, collector, swivel or rotary joint.

The SRH Series uses multiple contact point technology, allowing for low contact electric resistance between brushes and ring. This reduces electrical noise and the slip ring gets a longer lifetime.

No lubrication required.



### Typical applications

- Cable reels
- Medical equipment
- Packaging machines

### Quick facts

- Compact size
- Quick delivery
- Low cost
- High reliability and duration
- Low friction torque
- Smooth rotation
- In compliance with CE and ROHS standards

<b>Number of circuits</b>	6, 12, 18, 24, 36, 48
<b>Voltage</b>	600 VAC
<b>Cables/Current rating</b>	tin plated, PTFE insulation / 10 A: AWG16 2 A: AWG26
<b>Dielectric strength</b>	1000 VAC at 60 Hz
<b>Insulation resistance</b>	500 VAC at 60 Hz
<b>Insulation resistance</b>	> 1000 MΩ / 500 Vcc
<b>Nominal speed</b>	1000 rpm
<b>Temperature</b>	-20°C to +80°C
<b>Rating life</b>	10 <sup>8</sup> revolutions (depending on speed and on environmental conditions)
<b>Contact</b>	Gold on Gold / Silver on Silver
<b>Protection</b>	IP51 or high or request

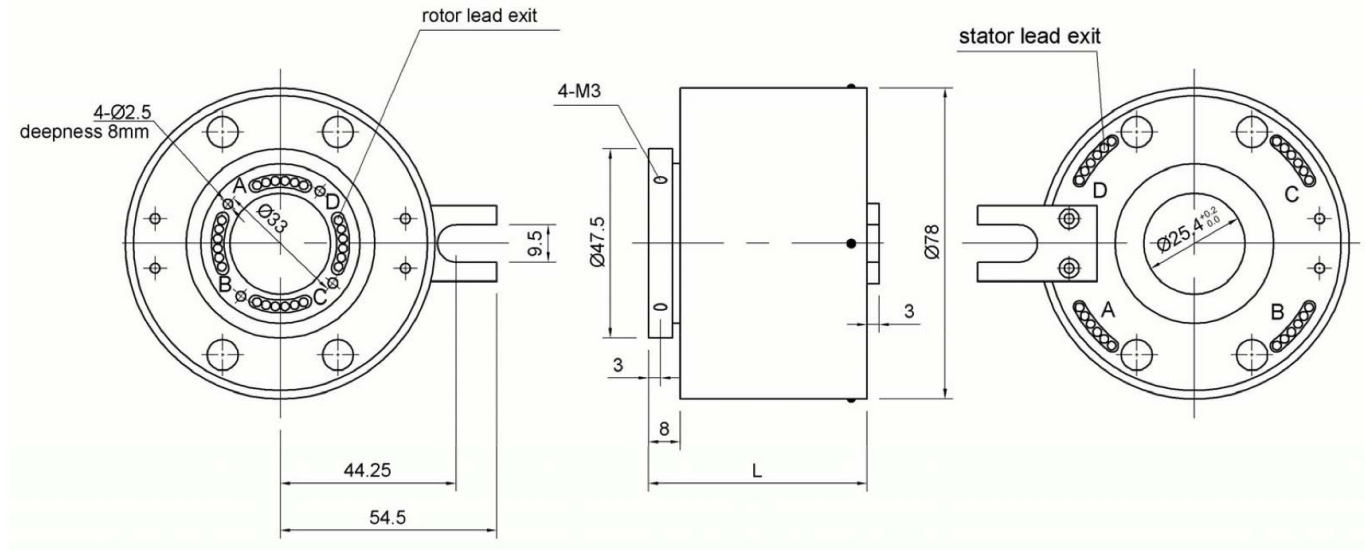
We can also offer custom designs. As a customer you have the possibility to specify the slip ring to comply with your needs. We can also offer hybrid units, for example a combined slip ring and fiber optic rotary joint, integrated into one small housing.

### Other options we can offer:

- Inclusion of coax and miniature data bus cables
- Harnessing of lead wires into chosen crimps and connectors

## SRH2578

## Outline dimension



Model	Total Rings	2A	10A	Length
SRH2578-6P	6	-	6	55 mm
SRH2578-12S	12	12	-	55 mm
SRH2578-12P	12	-	12	79 mm
SRH2578-6P/12S	18	12	9	79 mm
SRH2578-24S	24	24	-	79 mm
SRH2578-18P	18	-	18	103 mm
SRH2578-12P/12S	24	12	12	103 mm
SRH2578-6P/24S	30	24	6	103 mm
SRH2578-36S	36	36	-	103 mm
SRH2578-24P	24	-	24	127 mm
SRH2578-18P/12S	30	12	18	127 mm
SRH2578-12P/24S	36	24	12	127 mm
SRH2578-6P/36S	42	36	6	127 mm
SRH2578-48S	48	48	-	127 mm

## SRH2578-6P in lead exit 1

Ring No.	Colour code
1	RED
2	YEL
3	BLK
4	BLU
5	GRN
6	WHT

## SRH2578-18P in red shrink tube

Ring No.	Colour code
1	RED
2	YEL
3	BLK
4	BLU
5	GRN
6	WHT

## SRH2578-18P in black shrink tube

Ring No.	Colour code
7	PUP
8	GRY
9	BRN
10	ORN
11	DBLU
12	KHK

## SRH2578-18P in blue shrink tube

Ring No.	Colour code
13	RED
14	YEL
15	BLK
16	BLU
17	GRN
18	WHT

## SRH2578-12S in red shrink tube

Ring No.	Colour code
1	RED
2	YEL
3	BLK
4	BLU
5	GRN
6	WHT
7	PUP
8	GRY
9	BRN
10	ORN
11	DBLU
12	KHK

## SRH2578-12P in lead exit 1

Ring No.	Colour code
1	RED
2	YEL
3	BLK
4	BLU
5	GRN
6	WHT

## SRH2578-12P in lead exit 2

Ring No.	Colour code
7	PUP
8	GRY
9	BRN
10	ORN
11	DBLU
12	KHK

## SRH2578-24P in red shrink tube

Ring No.	Colour code
1	RED
2	YEL
3	BLK
4	BLU
5	GRN
6	WHT

For more color codes, please contact us.

## SRH2578-24P in black shrink tube

Ring No.	Colour code
7	PUP
8	GRY
9	BRN
10	ORN
11	DBLU
12	KHK

## SRH2578-24P in blue shrink tube

Ring No.	Colour code
13	RED
14	YEL
15	BLK
16	BLU
17	GRN
18	WHT

## SRH2578-24P in green shrink tube

Ring No.	Colour code
19	PUP
20	GRY
21	BRN
22	ORN
23	DBLU
24	KHK