

SRH1254 – 12.7 mm through-bore

Slip rings can be used in any electromechanical system requiring unrestrained, continuous rotation, while transmitting power and/or data from a stationary to a rotating structure.



A slip ring is sometimes referred to as a rotary electrical interface, collector, swivel or rotary joint.

The SRH Series uses multiple contact point technology, allowing for low contact electric resistance between brushes and ring. This reduces electrical noise and the slip ring gets a longer lifetime.

No lubrication required.

Typical applications

- Cable reels
- Medical equipment
- Packaging machines

Quick facts

- Compact size
- Quick delivery
- Low cost
- High reliability and duration
- Low friction torque
- Smooth rotation
- In compliance with CE and ROHS standards

Number of circuits	6, 12, 18, 24
Voltage	600 VAC
Cables/Current rating	tin plated, PTFE insulation / 5 A: AWG22
Dielectric strength	1000 VAC at 60 Hz
Insulation resistance	500 VAC at 60 Hz
Insulation resistance	> 1000 MΩ / 500 Vcc
Nominal speed	1000 rpm
Temperature	-20°C to +80°C
Rating life	10 ⁸ revolutions (depending on speed and on environmental conditions)
Contact	Gold on Gold / Silver on Silver
Protection	IP51 or high or request

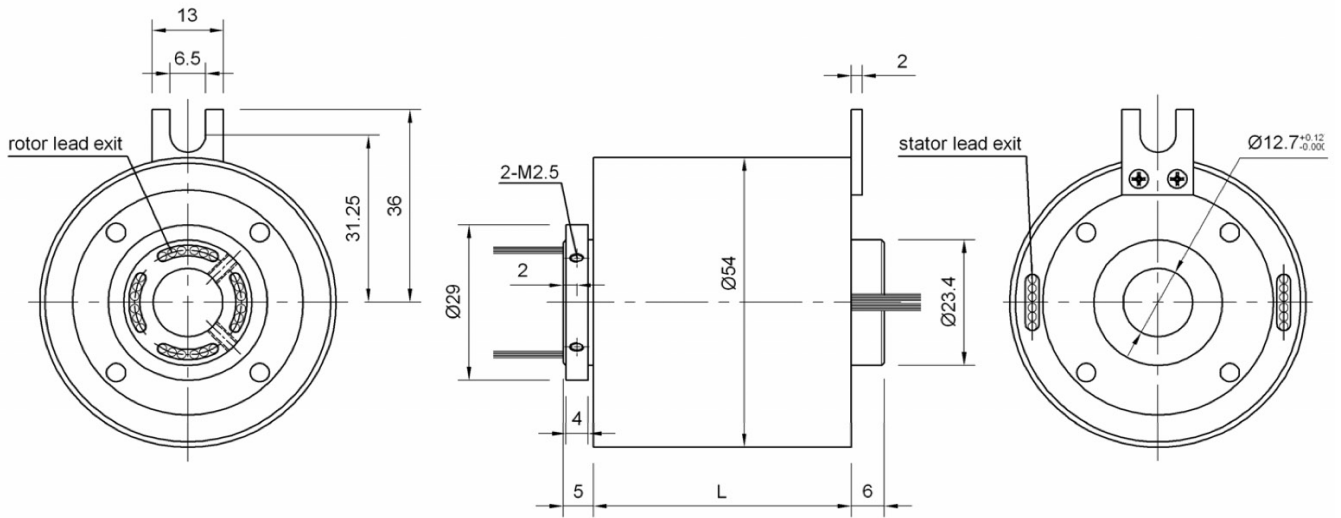
We can also offer custom designs. As a customer you have the possibility to specify the slip ring to comply with your needs. We can also offer hybrid units, for example a combined slip ring and fiber optic rotary joint, integrated into one small housing.

Other options we can offer:

- Inclusion of coax and miniature data bus cables
- Harnessing of lead wires into chosen crimps and connectors

SRH1254

Outline dimension



Model	Total Rings	5A	Length
SRH1254-6	6	6	33.8 mm
SRH1254-12	12	12	47 mm
SRH1254-18	12	18	60.2 mm
SRH1254-24	18	24	73.4 mm

SRH1254-6 in lead exit 1

Ring No.	Colour code
1	RED
2	YEL
3	BLK
4	BLU
5	GRN
6	WHT

SRH1254-18 in red shrink tube

Ring No.	Colour code
1	RED
2	YEL
3	BLK
4	BLU
5	GRN
6	WHT

SRH1254-18 in black shrink tube

Ring No.	Colour code
7	PUP
8	GRY
9	BRN
10	ORN
11	DBLU
12	KHK

SRH1254-18 in blue shrink tube

Ring No.	Colour code
13	RED
14	YEL
15	BLK
16	BLU
17	GRN
18	WHT

SRH1254-12 in red shrink tube

Ring No.	Colour code
1	RED
2	YEL
3	BLK
4	BLU
5	GRN
6	WHT
7	PUP
8	GRY
9	BRN
10	ORN
11	DBLU
12	KHK

SRH1254-24 in red shrink tube

Ring No.	Colour code
1	RED
2	YEL
3	BLK
4	BLU
5	GRN
6	WHT

SRH1254-24 in black shrink tube

Ring No.	Colour code
7	PUP
8	GRY
9	BRN
10	ORN
11	DBLU
12	KHK

SRH1254-24 in blue shrink tube

Ring No.	Colour code
13	RED
14	YEL
15	BLK
16	BLU
17	GRN
18	WHT

SRH1254-24 in green shrink tube

Ring No.	Colour code
19	PUP
20	GRY
21	BRN
22	ORN
23	DBLU
24	KHK

For more color codes, please contact us.