

SRC022 - Compact Slip Ring

Slip Rings can be used in any system requiring the transmission of electrical and/or power signals to an intermittently or continuously rotating shaft. Thanks to the small ring diameter, the SRC Series, grants low peripheral speed between brushes and rings, as well



as reduced dynamic imbalance what means very low wear. Moreover, the use of noble metals (gold to gold alloy) assures long lasting using life, reduced electric noise and interferences among circuits, low contact electric resistance.

The above features make the SRC Series specially suited to transmission of critical signals, such as hi frequency signals (video, field buses, etc.), very low currents and voltages (strain gages, thermocouples, measuring equipment etc.), even if versions with up to 6A and 10A circuits are available.

Conceived to deliver a flexible, cost-effective, reliable and hi-quality solution, these units are available in many standard configurations and with 6 to 56 circuits. Their compact size allows installation into small systems thus requiring high performances. The SRC Series can easily meet the needs of particular applications and also be customised on demand (connectors, cables length, special cables, number of circuits, etc.).

Typical applications

- Video systems (CCTV)
- Robotics
- Cable reels
- Medical equipment
- Packaging machines

Quick facts

- Compact size
- Quick delivery
- Low cost
- Ideal for video and digital signals
- Gold alloy rings and brushes
- High reliability and duration
- Low friction torque
- Smooth rotation
- In compliance with CE and ROHS standards

Number of circuits	6,12, 18, 24
Voltage	240 VDC / 240 VAC max
Cables/Current rating	silver plated - PTFE insulation and colour coded 2A: AWG26 or AWG28 6A: AWG20; 10A: AWG16
Cable length	250 mm. standard (other lengths on demand)
Dielectric strength	500 VAC at 60 Hz
Insulation resistance	> 1000 MΩ / 500 Vcc
Noise	< 100 mΩ at 6 Vcc and 50 mA (at 5 rpm)
Nominal speed	250 rpm (for higher speed up to 600 rpm please contact us)
Temperature	-20°C to +80°C (option: -40 to +80°C on AL housing)
Rating life	10 ⁸ revolutions (depending on speed and on enviromental conditions)
Contact	Gold on Gold
Protection	IP51 or high or request

We can offer a wide variety of special designs other then shown. Customer has the possibilities to customize a slip ring to comply with their specific needs. We can also offer hybrid units which means we can offer combination of slip ring and fiber optic rotary joint integrated into one housing in a small package.

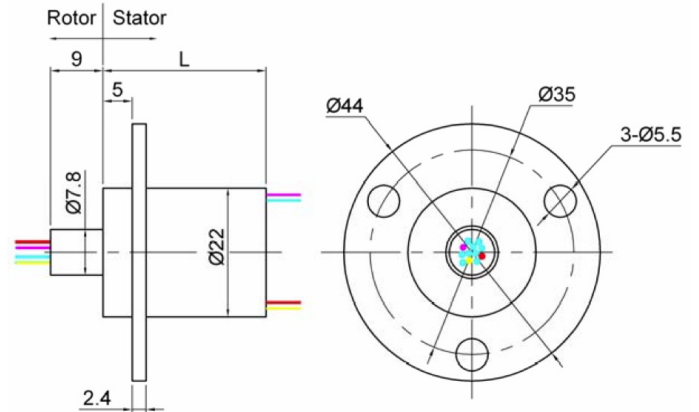
Other options we can offer:

- Inclusion of coax and miniature data bus cables
- Custom harnessing
- Termination of lead wires into chosen crimps and connectors

Standard: SRC022



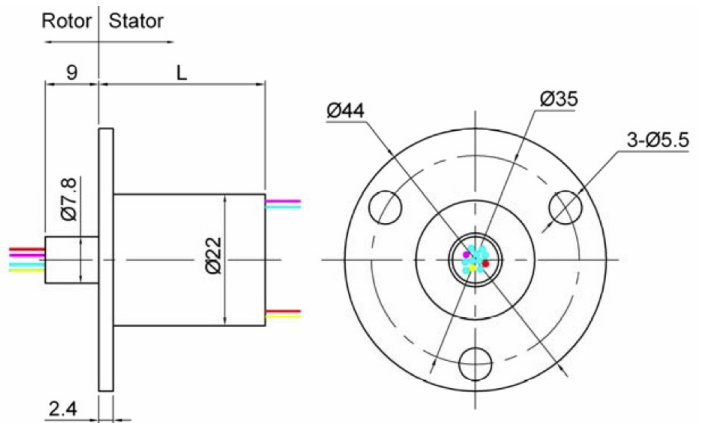
Outline dimension



A Model: SRC022A



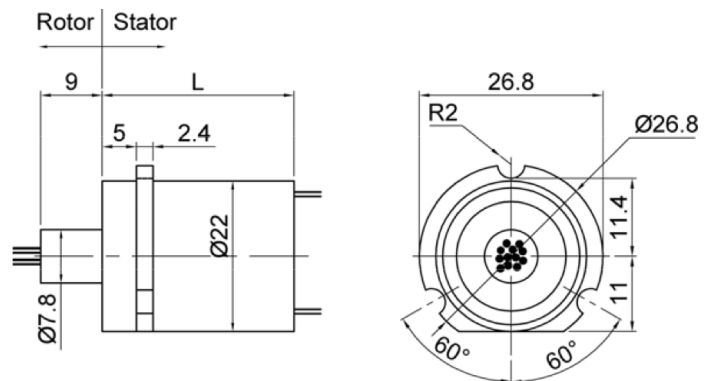
Outline dimension



B Model: SRC022B



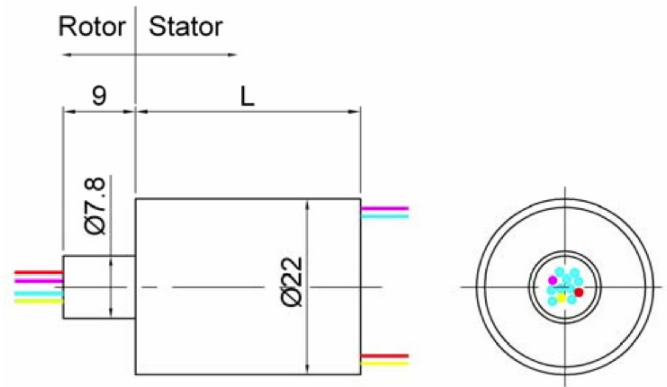
Outline dimension



C Model: SRC022C



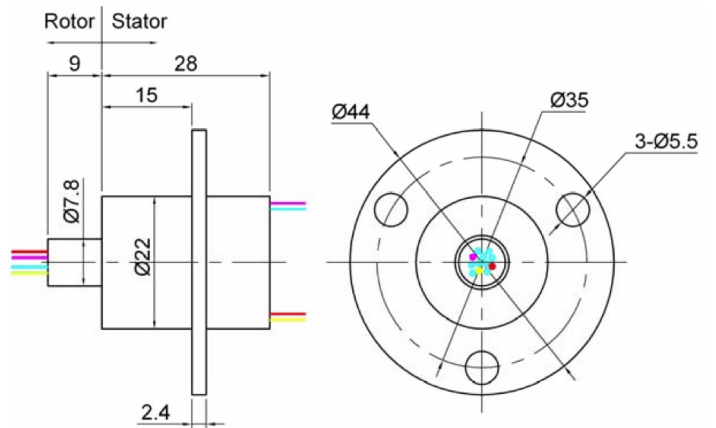
Outline dimension



D Model: SRC022D



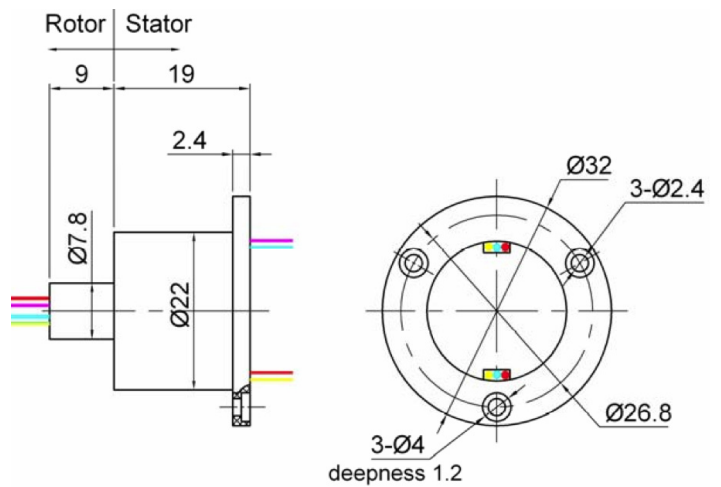
Outline dimension



D Model: SRC022E



Outline dimension



SRC022-6

Ring No.	Colour code
1	RED
2	YEL
3	BLK
4	BLU
5	GRN
6	WHT

SRC022-12

Ring No.	Colour code
1	RED
2	GRN
3	YEL
4	PUP
5	GRY
6	BLK
7	BLU
8	DBLU
9	BRN
10	ORN
11	WHT
12	KHK

SRC022-18

Ring No.	Colour code
1	RED
2	GRN
3	YEL
4	PUP
5	GRY
6	BLK
7	BLU
8	DBLU
9	BRN
10	ORN
11	WHT
12	KHK
13	WHT-RED
14	WHT-BLK
15	WHT-BLU
16	WHT-PUP
17	WHT-BRN
18	WHT-GRN

SRC022-24

Ring No.	Colour code
1	RED
2	GRN
3	YEL
4	PUP
5	GRY
6	BLK
7	BLU
8	DBLU
9	BRN
10	ORN
11	WHT
12	KHK
13	WHT-RED
14	WHT-BLK
15	WHT-BLU
16	WHT-PUP
17	WHT-BRN
18	WHT-GRN
19	WHT-ORN
20	WHT-YEL
21	WHT-GRY
22	BLK-RED
23	BLK-BLU
24	YEL-GRN

Model	Drawing L
SRC022-6	19
SRC022-12	28
SRC022-15	29.5
SRC022-18	33.4
SRC022-24	41.2