

SRC012 - Compact Slip Ring

Slip rings can be used in any system requiring the transmission of electrical and/or power signals to an intermittently or continuously rotating shaft. Thanks to the small ring diameter, the SRC series grants low peripheral speed between brushes and rings, as well as reduced dynamic imbalance what means very low wear. The use of noble metals (gold to gold alloy) assures long lifetime with low resistance, low electrical noise and low interference between circuits.



The very low electrical noise makes the SRC series suited to transmission of critical signals, such as high frequency signals (video, field buses) and weak signals (strain gages, thermocouples, measuring equipment). Versions with up to 6 A or 10 A circuits are available.

Designed for a flexible, cost-effective and reliable solution, these units are available in many standard configurations using 6 to 12 circuits. The compact size allows installation into small systems with high performance requirements. The SRC series can also be customised on demand (connectors, cables length, special cables, number of circuits, etc.).

Typical applications

- Video systems (CCTV)
- Robotics
- Cable reels
- Medical equipment
- Packaging machines

Quick facts

- Compact size
- Quick delivery
- Low cost
- Ideal for video and digital signals
- Gold alloy rings and brushes
- High reliability and duration
- Low friction torque
- Smooth rotation
- In compliance with CE and ROHS standards

Number of circuits	6, 12
Voltage	240 VDC / 240 VAC max
Cables/Current rating	silver plated - PTFE insulation and colour coded 2 A: AWG26 or AWG28 6 A: AWG20; 10 A: AWG16
Cable length	250 mm. standard (other lengths on demand)
Dielectric strength	500 VAC at 60 Hz
Insulation resistance	> 1000 MΩ / 500 Vcc
Noise	< 100 mΩ at 6 Vcc and 50 mA (at 5 rpm)
Nominal speed	250 rpm (for higher speed up to 600 rpm please contact us)
Temperature	-20°C to +80°C (option: -40 to +80°C on AL housing)
Rating life	10 ⁸ revolutions (depending on speed and on enviromental conditions)
Contact	Gold on Gold
Protection	IP51 or high or request

We can also offer custom designs. As a customer you have the possibility to specify the slip ring to comply with your needs. We can also offer hybrid units, for example a combined slip ring and fiber optic rotary joint, integrated into one small housing.

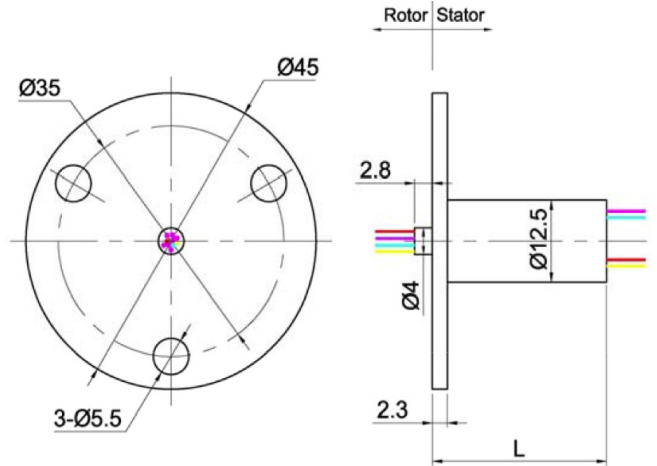
Other options we can offer:

- Inclusion of coax and miniature data bus cables
- Harnessing of lead wires into chosen crimps and connectors

A Model: SRC012A



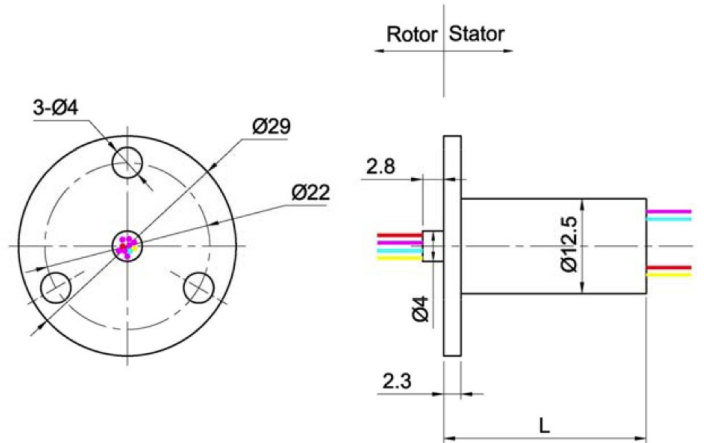
Outline dimension



A Model 1: SRC012A1



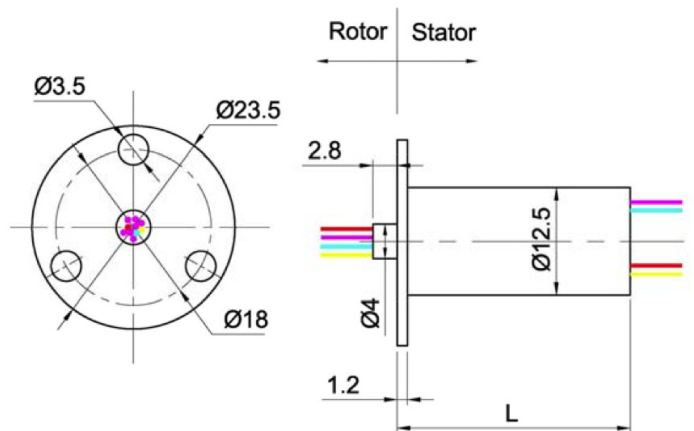
Outline dimension



A Model 2: SRC012A2

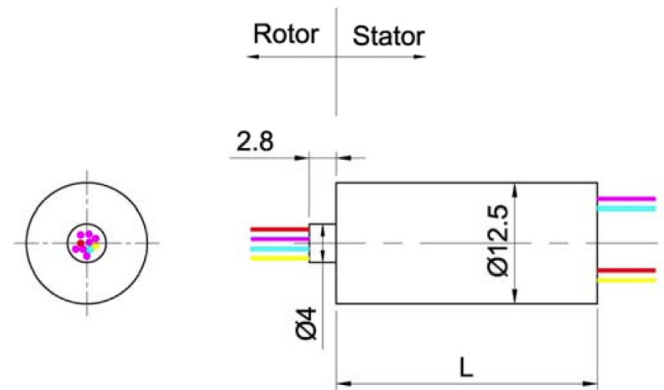


Outline dimension



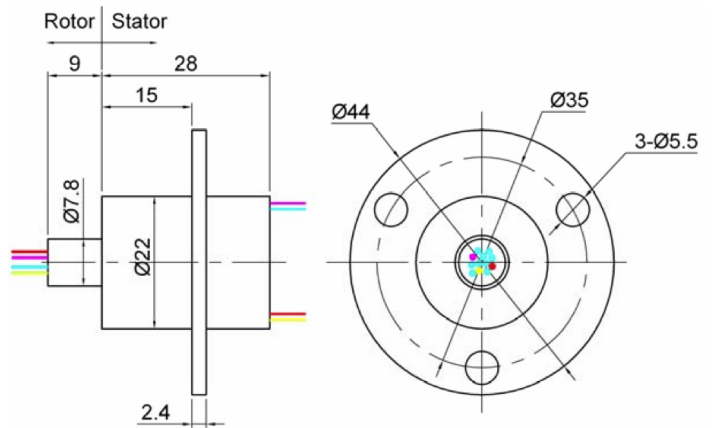
C Model: SRC012C

Outline dimension



D Model: SRC012D

Outline dimension



Number of circuits	Slip ring length (L)	Model number
6	17 mm	SRC012-6
12	27 mm	SRC012-12

*Please note that all dimensions can be modified upon customers request.

SRC012-6

Ring No.	Colour code
1	RED
2	YEL
3	BLK
4	BLU
5	GRN
6	WHT

SRC012-12

Ring No.	Colour code
1	RED
2	GRN
3	YEL
4	PUP
5	GRY
6	BLK
7	BLU
8	DBLU
9	BRN
10	ORN
11	WHT
12	KHK